

Type..... Date .....

Model #..... Prepared by .....

Project .....

Comments .....

# Urban Act™ Square

## Specification Features for 70 – 150W Ceramic Metal Halide lamps

**General:** Two-piece die cast aluminum housing consisting of a reflector compartment with integral cooling fins connected with stainless steel screws to a separate cylindrical ballast housing of similar design. Mounting yoke is connected to finned ballast housing with hand tightened, tool-free adjustment mechanism. For re-lamping and focusing, lamp compartment is accessed via a tool-free latch.

**Optics:** All reflectors are precisely spun aluminum, fully specular, anodized aluminum with a faceted or dimpled surface. Three stainless steel screws are provided for precise leveling and focusing the Ceramic Metal Halide lamp arc tube within the reflector.

**Lamp Enclosure:** One-piece die cast aluminum with integral drainage slots and a one-piece molded U-channel, high temperature silicone rubber gasket. Enclosure door contains convex tempered clear glass lens, 1/4" thick with snap lock tool-free release.

**Electrical:** Ballast is electronic, HPF with self configuration to supply voltage. Lamp holder is medium base, porcelain with nickel plated contacts. All wiring is rated for 90°C.

**Mounting Yoke:** 3/16" stainless steel, allows for 360° rotation around the center axis and full vertical adjustment with the finned, die cast discs ideally sized for hand tightening. The yoke is pre-drilled for mounting to various EYE mounting accessories.

**Finish:** Electro statically applied, polyester powder coated. Available in two standard colors: White (WH) and Dark Gray (DG). Add appropriate suffix to catalog number as shown.

ETL Listed, suitable for wet locations and any mounting orientation.

**Specification Language:** Luminaire shall be ETL Listed wet location with an IP65 rating that incorporates an integral electronic ballast in a separate ballast compartment for Ceramic Metal Halide lamps. The optic shall be a spun, fully specular, anodized aluminum reflector with minimum reflectance of 90% and adjustable socket positions. Housing and door frame shall be a low copper die cast aluminum, polyester powder coated, with water tight strain relief and a SEOW external cord.

Model Number: UAS – XXX – XX – XXX – XX – XX or equal.

Protection Class: IP65

\* Standard cord length is 3 ft, factory options available for other lengths.



## EYE Interior or Exterior Floodlighting Luminaires

### Accessories available for Square:

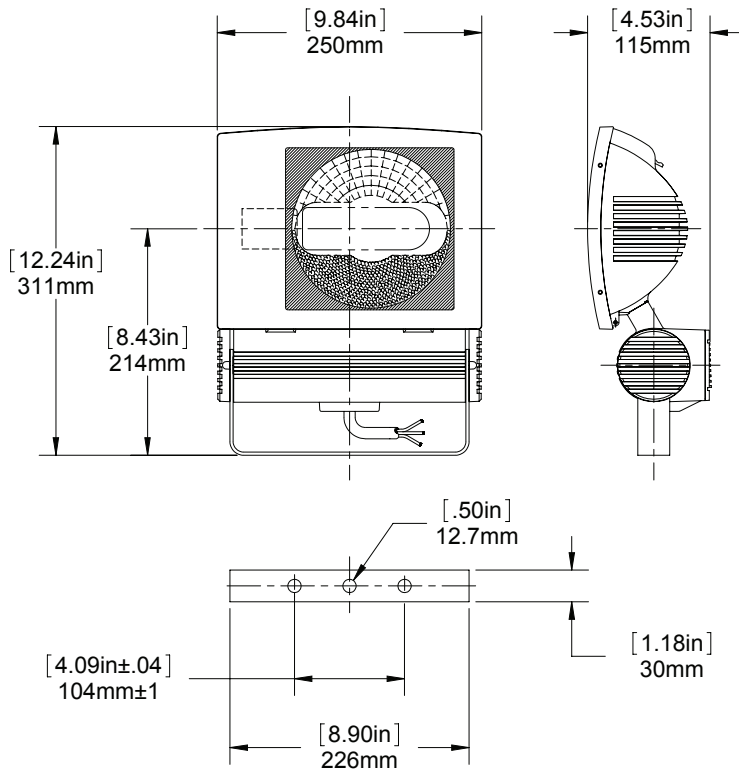
- **TF** – Tall Flange
- **F** – Flange
- **BT** – Truss System
- **O2, O3, I2** – Outdoor and Indoor Arm
- **SHS** – Shield
- **VIS** – Visor
- **UAS-ACH** – Accessory Holder (can hold 2 accessories)
- **UAS-GLSH** – Glare Shields
- **UAS-CL-RD (Red), GR (Green), BL (Blue)** – Colored Dichroic Lenses
- **UAS-LSL** – Linear Spread Lens
- **UAS-BD** – Barn Doors
- **UAS-SN** – Snoot

## Urban Act Square Ordering Information: Options and Lamps

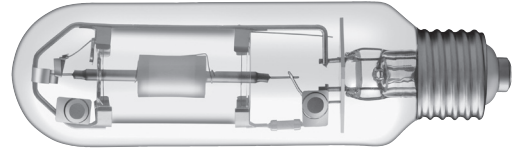
FAMILY	WATTAGE	BEAM PATTERN	BALLAST VOLTAGE	FINISH	LAMP	OPTIONS
UAS	70 (70 WATT)	MW (Medium Wide) (17°x25°) NEMA 1X2 W (Wide) (48°x63°) NEMA 4X4	120V (Only) 120-277V (Universal)	STANDARD DG (Dark Gray) WH (White) OPTIONS Black (RAL9005) Charcoal (RAL7043) Dark Bronze (RAL7013) Gray (RAL7000)	70W 4I CMTTP70/U/932/MED 4K CMTTP70/U/NR936/MED 4M CMTTP70/U/943/MED 150W 6A CMTTP150/U/928/MED 6C CMTTP150/U/NR936/MED 6E CMTTP150/U/943/MED 6G CMTTP150/U/955/MED	CD-5BK = 5 foot cord CD-7BK = 7 foot cord CD-9BK = 9 foot cord AML = Aim Lock TPR = Tamper Proof TTA = Tall Trunion Adapter
	150 (150 WATT)					

# Urban Act™ Square

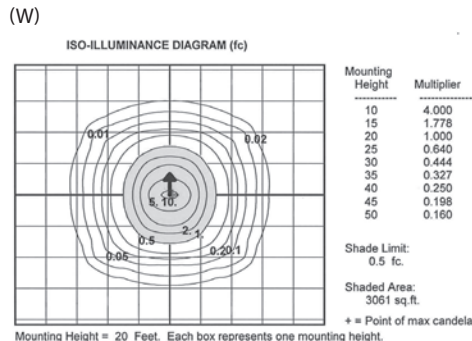
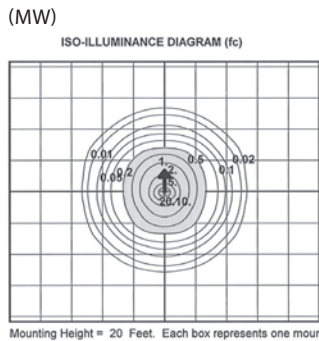
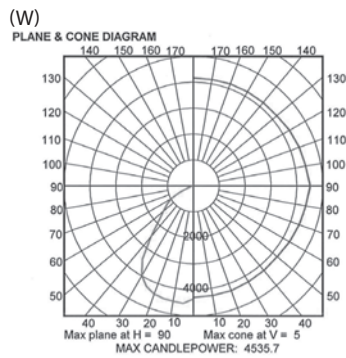
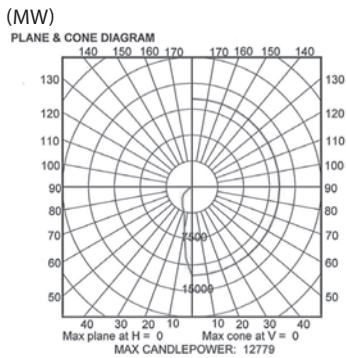
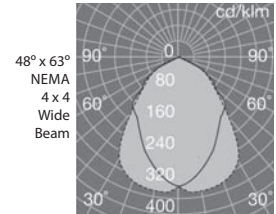
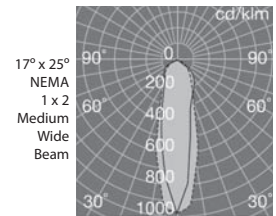
EYE Interior or Exterior Floodlighting Luminaires  
Specification Features for 70 – 150W CMH lamps



**EYE CERA ARC™**  
High efficacy, high color rendering, long life Ceramic Metal Halide



**PHOTOMETRICS**  
using a 150W  
CERA ARC® / 4300°K CCT / 95 CRI Lamp



**EYE Lighting International of North America, Inc.**  
a division of Iwasaki Electric of Japan

9150 Hendricks Road  
Mentor, Ohio 44060

Tel: (888) 665-2677  
Fax: (440) 350-7001

[www.eyelighting.com](http://www.eyelighting.com)